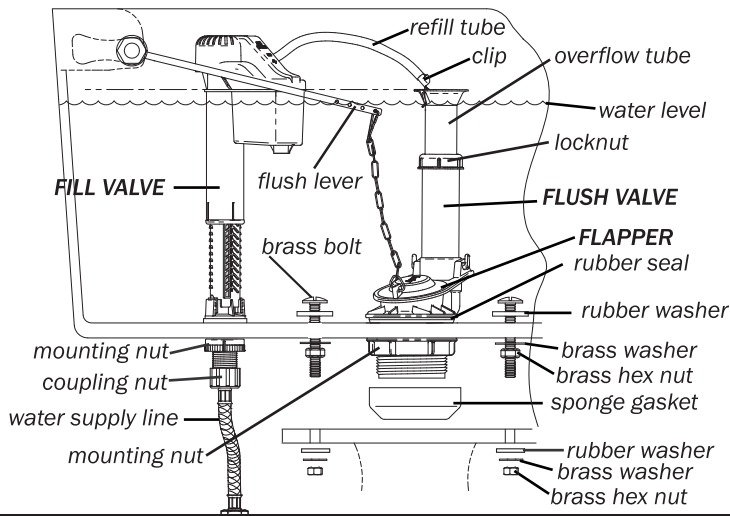


Adjustable Flush Valve & Flapper (4020) Installation Instructions



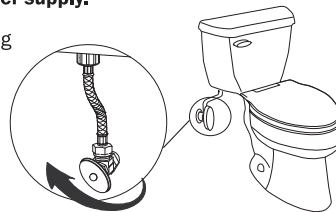
Tools required:

- sponge
- bucket
- adjustable wrench or pliers
- pipe wrench
- ruler or tape measure

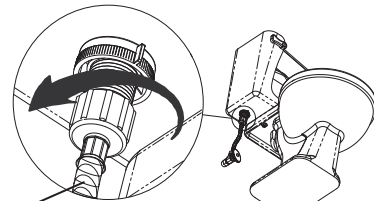
Save instructions for future reference.

1. Shut off water supply.

Flush toilet and sponge remaining water from tank.

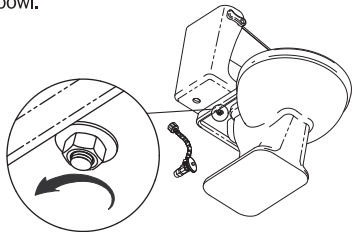


2. Disconnect water supply line under tank.



3. Unbolt tank from bowl.

Remove nuts, washers & bolts and save for later use. Lift off tank from bowl.



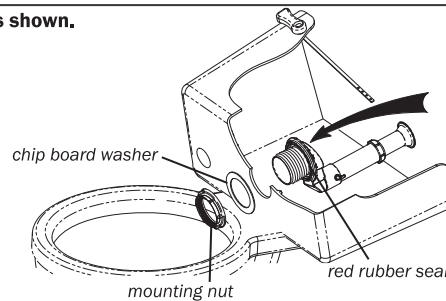
4. Remove old flush valve & flapper.

Remove old tank-to-bowl sponge gasket and save for later use. Using a large wrench remove and discard old flush valve, flapper & mounting nut.



5. Install new flush valve as shown.

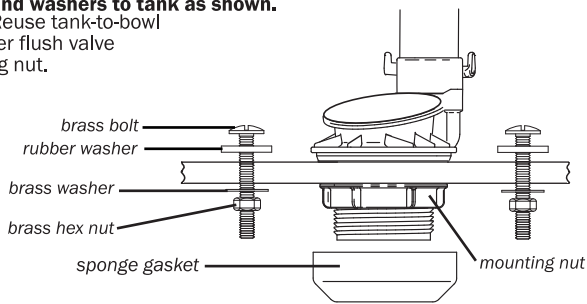
Don't forget to install flat chipboard washer against underside of tank. (This will reduce friction, making it easier to tighten plastic mounting nut by hand. Hand-tighten mounting nut plus 1/4 turn max.) (Do not over-tighten or tank may crack.)



6. Assemble bolts and washers to tank as shown.

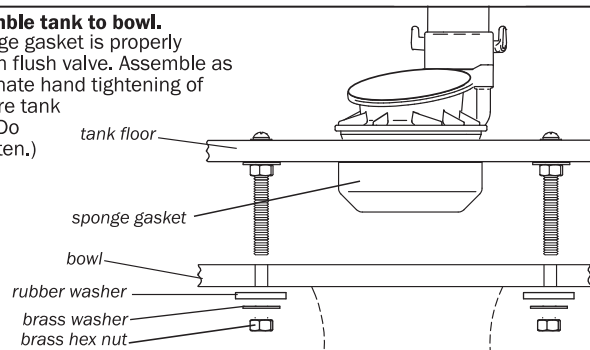
Do not over-tighten. Reuse tank-to-bowl gasket by pushing over flush valve threads and mounting nut.

Note: Tank-to-bowl gasket, bolts, washers and nuts are not included. If new hardware is needed, these items are sold separately.



7. Reassemble tank to bowl.

Ensure sponge gasket is properly positioned on flush valve. Assemble as shown. Alternate hand tightening of nuts to ensure tank stays level. (Do not over-tighten.)

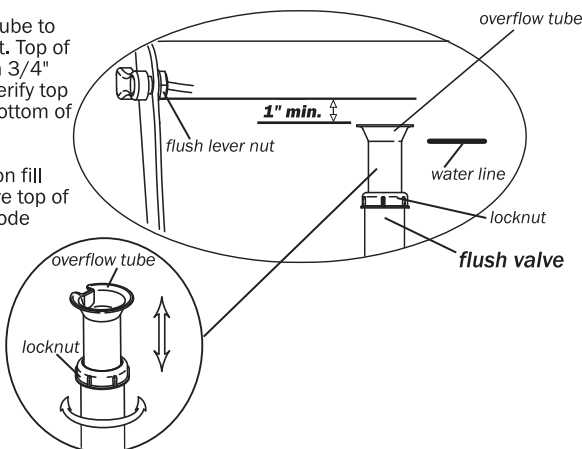


8. Adjust height of flush valve.

Loosen locknut and extend upper tube to proper height. Hand-tighten locknut. Top of flush valve should be no more than 3/4" above water line marked in tank. Verify top of flush valve is at least 1" below bottom of overflow tube.

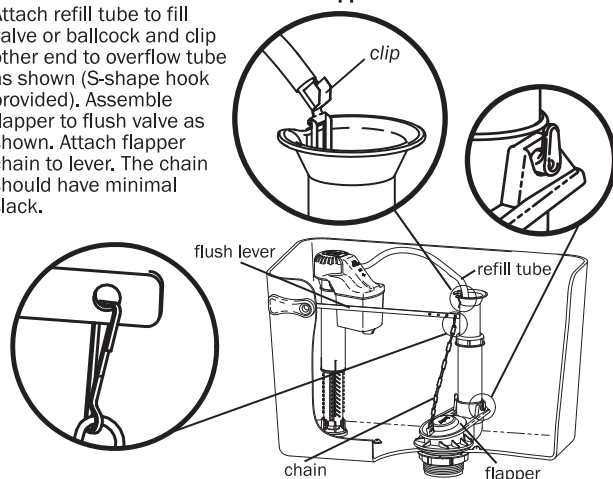
Note: Verify C/L line (critical level) on fill valve or ballcock is at least 1" above top of overflow tube. This is a plumbing code requirement.

Caution: If the top of the overflow tube in your toilet is higher than the flush lever opening, water could leak out.



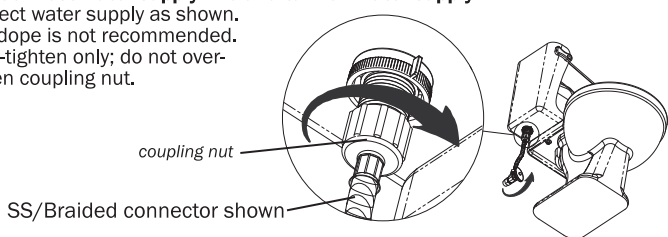
9. Reattach refill tube and install flapper.

Attach refill tube to fill valve or ballcock and clip other end to overflow tube as shown (S-shape hook provided). Assemble flapper to flush valve as shown. Attach flapper chain to lever. The chain should have minimal slack.



10. Connect water supply line and turn on water supply.

Connect water supply as shown. Pipe dope is not recommended. Hand-tighten only; do not over-tighten coupling nut.



11. Check for leaks.

Flush toilet several times. Periodically check for leaks for several days following installation. Call us with any comments or questions.

3/8" Flexible Copper Tubing	Flanged Metal Tubing	Vinyl/SS Braided Connector
<p>mounting nut cone washer fiber washer coupling nut water supply valve</p>	<p>mounting nut fiber washer existing coupling nut water supply valve</p>	<p>mounting nut coupling nut water supply valve</p>
◆ Use new parts included in kit.	✦ Use existing parts.	✦ Cone washer is integrated in flexible connector; no additional washers needed.

Future Troubleshooting Tips

Problem: Fill valve or ballcock turns on and/or continuously runs, and **water level rises above top of overflow tube**, spilling into overflow tube.

Solution: Replace fill valve or ballcock with Korky QuietFill Valve, Lavelle model #528.

Problem: Fill valve or ballcock turns on and off by itself or runs continuously (valve may hiss), **but water level in tank remains below top of overflow tube**.

Solution: Fill valve or ballcock is turning on or running due to a slow leak in the tank, most likely caused by a worn-out flapper. Replace flapper with one of Lavelle's premium Korky toilet flappers for optimum performance.

Problem: Toilet tank fills too slowly.

Solution: Confirm that water supply valve is open all the way, and there are no kinks in supply line. If problem persists, replace fill valve or ballcock with Korky QuietFill Valve, Lavelle model #528.

Guarantee

The Korky® Flush Valve and Flapper are made from engineered materials which resist harsh chemicals and toilet tank cleaners. After proper installation according to these instructions; if it fails within five years of purchase, return to this address. It will be replaced at no charge.



©2004 Lavelle Industries, Inc.
Lavelle Industries, Inc.
665 McHenry Street
Burlington, WI 53105
800-LAVELLE
www.korky.com
LIT067 Rev 7/04